

MATERIAL NUMBER	NUMBERS OF PORTS	DIM -C-	DIM -D-	SEE NOTE
85586-1005	6/6	4.0/0.157	3.8/0.150	12

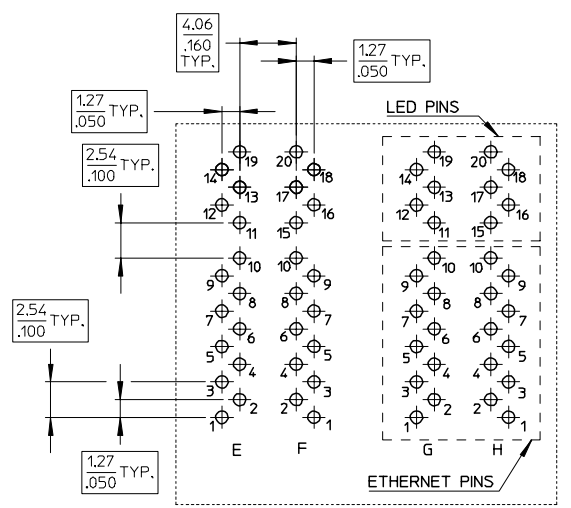
PATENTS PENDING

- NOTES:
- 1- SHIELD: MATERIAL: BRASS, PLATING: NICKEL
 - 2- HOUSING: MATERIAL: THERMOPLASTIC UL 94-V0, COLOR BLACK
 - 3- TERMINAL: PHOSPHOR BRONZE
PLATING:
POSTPLATE OR SPOTPLATE 0.00127 / .00005 MIN GOLD OVER 0.00127 / .00005 MIN NICKEL IN CONTACT AREA
0.00190 / .000075 MIN 100% TIN IN TAIL AREA, BOTH OVER 0.00127 / .000050 MIN NICKEL OVER ALL.
 - 4- JACK TO BE MATCHED WITH F.C.C. 68.5 PLUGS (MOLEX-PLUGS: 85568,95043,90075-SERIES)
 - 5- PRODUCT SPECIFICATION: PS-85586-001
 - 6- PLEASE REQUEST MOLEX FOR A FRENCH INSTALLATION MANUAL IF DISTRIBUTED IN CANADA.
 - 7- RECOMMENDED PCB LAYOUT AND PANEL CUT OUT SEE SHEET 2 AND 3
 - 8- NO TRACES WITHOUT INSULATION ALLOWED ON BOARD PCB IN THIS DASHED AREAS UNDER THE METAL SHIELD
 - 9- PIN LENGTH FOR RECOMMENDED PCB MAX. THICKNESS OF .140" REFER TO STANDARD IPC 610 REVISION C, CLASS 3
 - 10- STAND-OFF PLANE TO CUSTOMER PCB
 - 11- PACKAGING SPECIFICATION: PK-85586-001

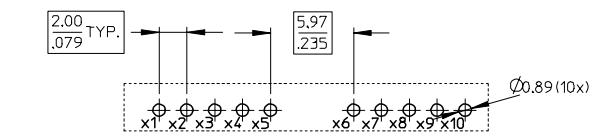
EC NO. MG2007-0091 2 DRAWN: RSCHIEBER 2007/03/19 CHKD: MARL 2007/03/19 APPR: AVGT 2007/03/26 REV DESCRIPTION	QUALITY SYMBOLS ▽=0 ▽=0	GENERAL TOLERANCES (UNLESS SPECIFIED) <table border="1"> <tr> <th></th> <th>mm</th> <th>INCH</th> </tr> <tr> <td>4 PLACES</td> <td>± .15</td> <td>± .006</td> </tr> <tr> <td>3 PLACES</td> <td>± .15</td> <td>± .01</td> </tr> <tr> <td>2 PLACES</td> <td>± 0.25</td> <td>± .01</td> </tr> <tr> <td>1 PLACE</td> <td>± 0.25</td> <td>± .01</td> </tr> <tr> <td colspan="3">ANGULAR ± 5°</td> </tr> </table>		mm	INCH	4 PLACES	± .15	± .006	3 PLACES	± .15	± .01	2 PLACES	± 0.25	± .01	1 PLACE	± 0.25	± .01	ANGULAR ± 5°			DIMENSION STYLE MM/IN DRAWN BY DATE RSCHIEBER 2005/12/08 CHECKED BY DATE SSTE INKE 2005/12/08 APPROVED BY DATE AVGT 2005/12/08	SCALE 2:1 DESIGN UNITS METRIC	THIRD ANGLE PROJECTION TITLE HYPERJACK 1000 POE-MODULE WITH POWER OVER PIN (POP), SWAPPED PORTS MOLEX MOLEX INCORPORATED
		mm	INCH																				
4 PLACES	± .15	± .006																					
3 PLACES	± .15	± .01																					
2 PLACES	± 0.25	± .01																					
1 PLACE	± 0.25	± .01																					
ANGULAR ± 5°																							
DRAFT WHERE APPLICABLE MUST REMAIN WITHIN DIMENSIONS SEE CHART THIS DRAWING CONTAINS INFORMATION THAT IS PROPRIETARY TO MOLEX INCORPORATED AND SHOULD NOT BE USED WITHOUT WRITTEN PERMISSION	MATERIAL NO. SD-85586-012 DOCUMENT NO.	SHEET NO. 1 OF 3																					

13 12 11 10 9 8 7 6 5 4 3 2 1

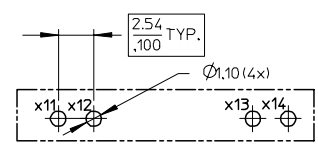
J I H G F E D C B A



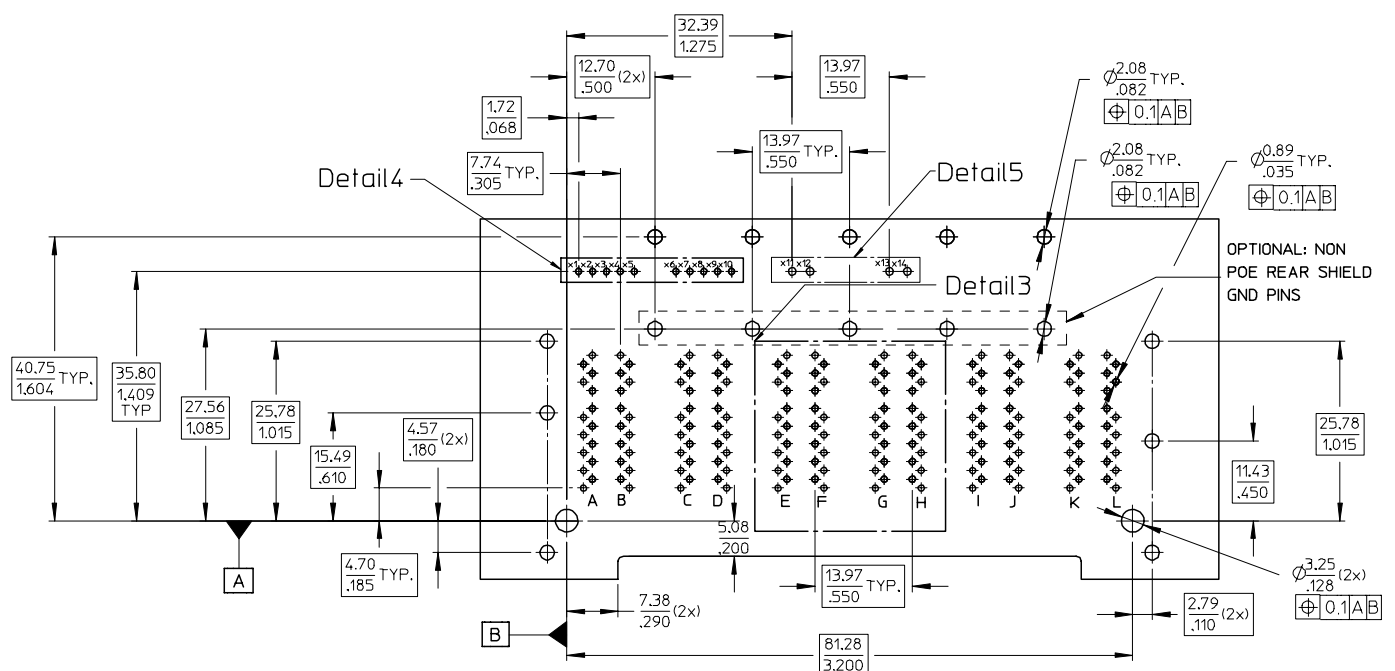
Detail3 SCALE 4:1
PORTS E, F, G, H
(THE SAME FOR ALL VERSIONS)



Detail4 SCALE 4:1
POE PIN ARRANGEMENT



Detail5 SCALE 4:1
POE PIN ARRANGEMENT



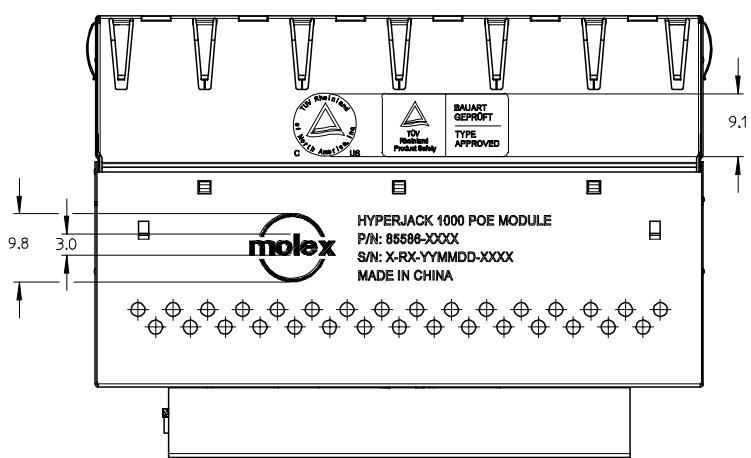
SUGGESTED PCB BOARD LAYOUT 2x6 VERSION, COMPONENT SIDE VIEW

PATENTS PENDING

EC NO: MG2007-0091 DRN:RSCHIEBER 2007/03/19 CHK:MARLT 2007/03/19 APPR:AVOGT 2007/03/26 REV:	QUALITY SYMBOLS ▽=0 ▽=0	GENERAL TOLERANCES (UNLESS SPECIFIED) 4 PLACES ± --- ± --- 3 PLACES ± --- ± .006 2 PLACES ± 0.15 ± .01 1 PLACE ± 0.25 ± --- ANGULAR ± 5 °	DIMENSION STYLE MM/IN	SCALE 2:1	DESIGN UNITS METRIC	THIRD ANGLE PROJECTION
	DRAWN BY RSCHIEBER	DATE 2005/12/08	CHECKED BY SSTE INKE	DATE 2005/12/08	APPROVED BY AVOGT	DATE 2005/12/08
MATERIAL NO. AVOGT	DATE 2005/12/08	MOLEX INCORPORATED	DOCUMENT NO. SD-85586-012	SHEET NO. 2 OF 3	THIS DRAWING CONTAINS INFORMATION THAT IS PROPRIETARY TO MOLEX INCORPORATED AND SHOULD NOT BE USED WITHOUT WRITTEN PERMISSION	

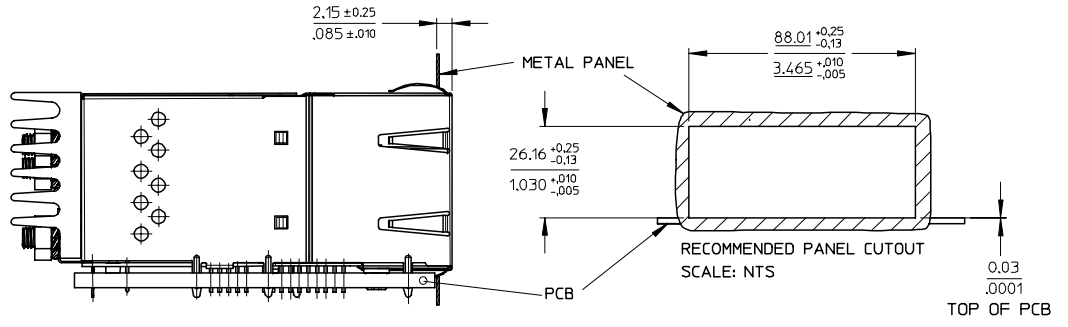
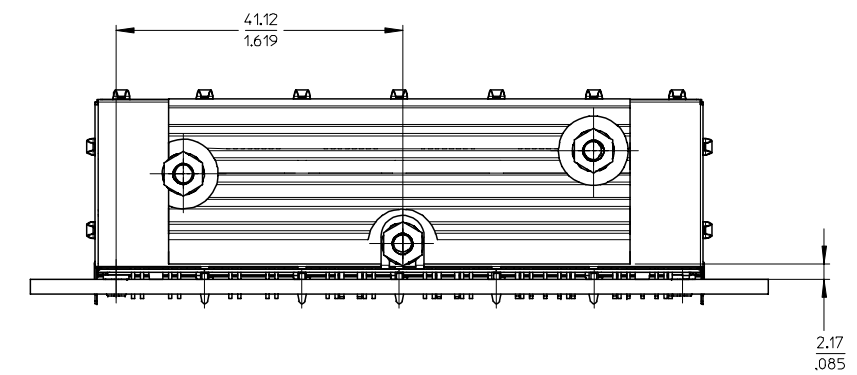
12 11 10 9 8 7 6 5 4 3 2 1

13 12 11 10 9 8 7 6 5 4 3 2 1



NOTES:

- 1 - MOLEX LOGO, TUV LOGO AND INSCRIPTION TO BE MARKED WITH LASER PRINTER
- 2 - INSCRIPTION:
 - 1st LINE: PART NAME
 - 2nd LINE: PART NUMBER
 - 3rd LINE: SERIES NUMBER -> MANUFACTURER ID - CONNECTOR REVISION - DATE CODE (YEAR, MONTH, DAY) - CONSECUTIVE NUMBER
 - 4th LINE: COUNTRY OF ORIGIN



PATENTS PENDING

EC NO: MG2007-0091 2007/03/19 DRW:RSCHIEBER CHK:MARLT 2007/03/19 APPR:AVOGT 2007/03/26 REV:	QUALITY SYMBOLS ▽=0 ▽=0	GENERAL TOLERANCES (UNLESS SPECIFIED) 4 PLACES ± --- ± --- 3 PLACES ± --- ± .006 2 PLACES ± 0.15 ± .01 1 PLACE ± 0.25 ± --- ANGULAR ± 5 °	DIMENSION STYLE MM/IN	SCALE 2:1	DESIGN UNITS METRIC	THIRD ANGLE PROJECTION	
	DRAWN BY RSCHIEBER	DATE 2005/12/08	CHECKED BY SSTE INKE	DATE 2005/12/08	TITLE HYPERJACK 1000 POE-MODULE WITH POWER OVER PIN (POP), SWAPPED PORTS		
	APPROVED BY AVOGT	DATE 2005/12/08	MATERIAL NO. SD-85586-012			DOCUMENT NO. MOLEX INCORPORATED	
	DRAFT WHERE APPLICABLE MUST REMAIN WITHIN DIMENSIONS			SEE SHEET 1	SHEET NO. 3 OF 3		

12 11 10 9 8 7 6 5 4 3 2 1